

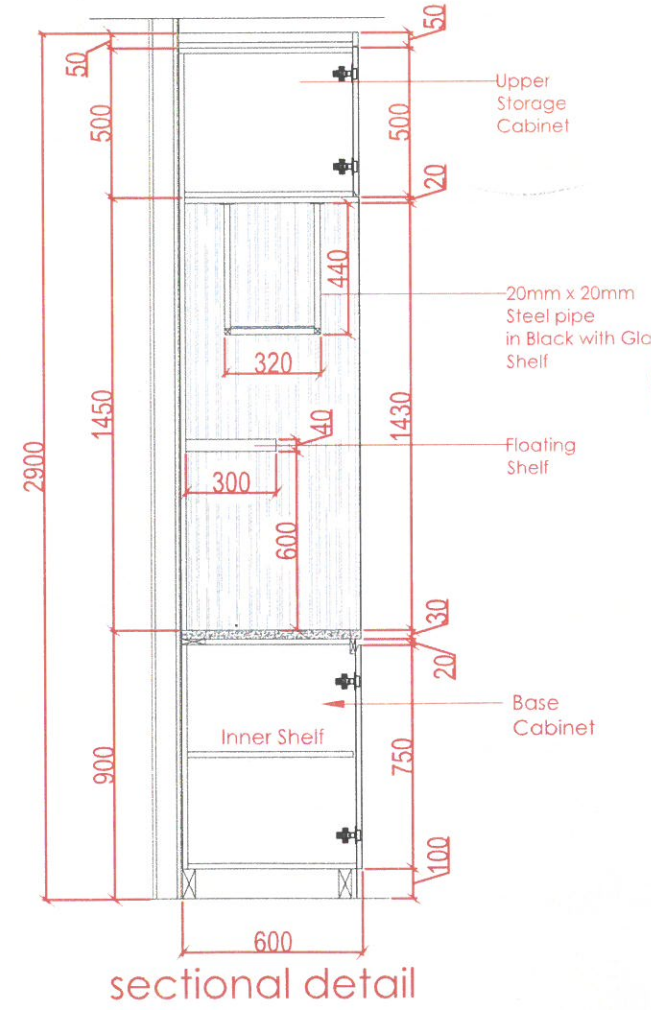
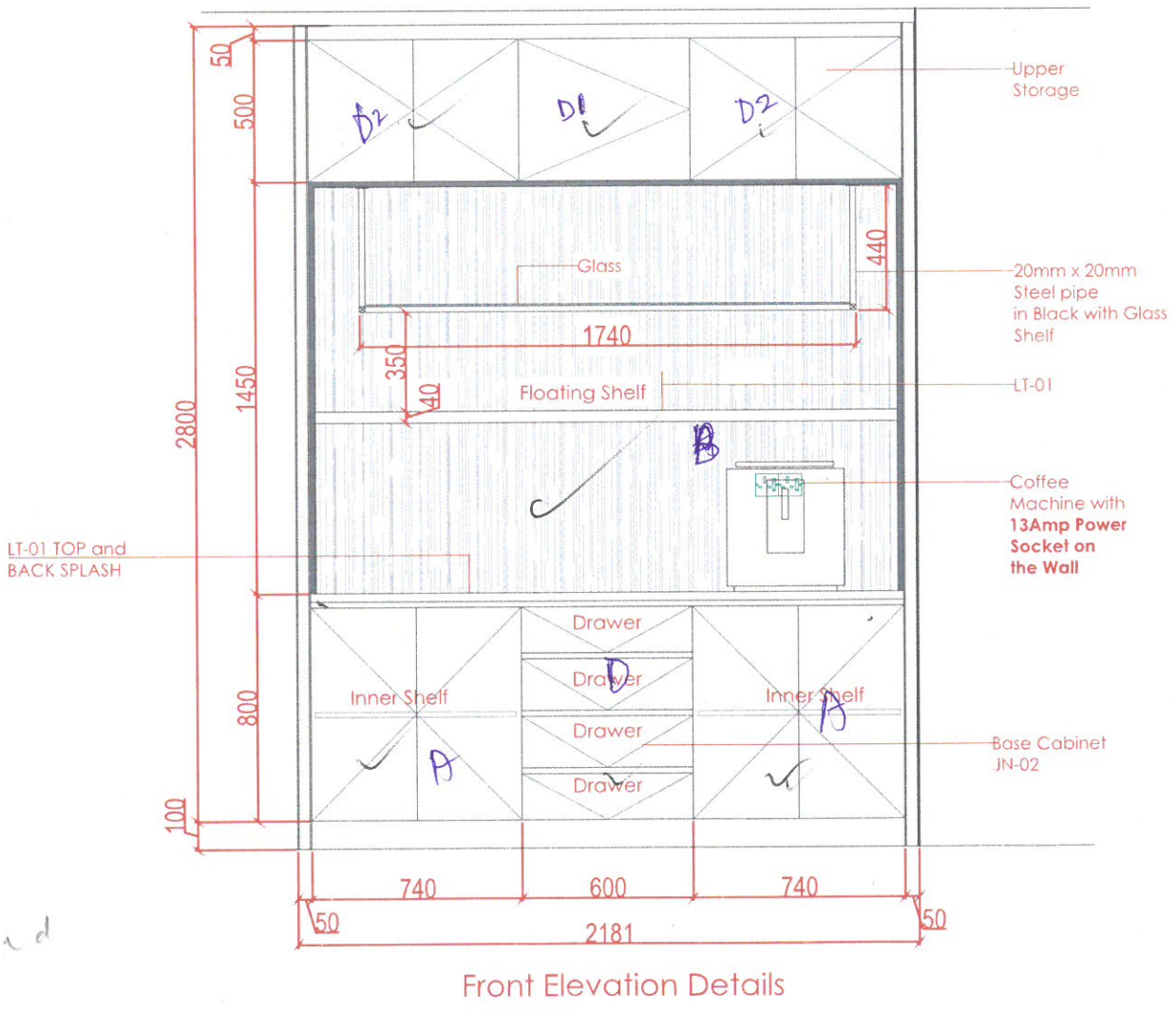
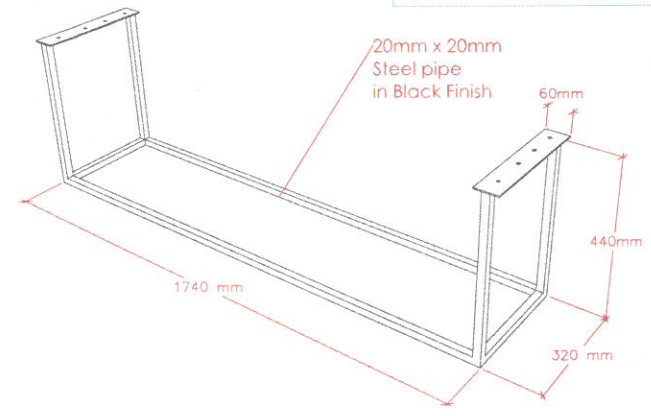
Tea Point 1

3rd Floor

FINISHES

JN-02
Starwood 310

LT-01



www.wood-styles.com

Copyright of designs shown herein is retained by this office. Authority is required for any reproduction. © Copyright Wood-styles Ltd.

Nigeria, Lagos +234 80 9037 9888
Email: info@wood-styles.com



Project: ---
Owner: ---

Date: --- Description: DSD-V1-ID-17/11/2024 - REV1
DSD-V1-ID-27/1/2025 - REV2

FOR APPROVAL

Project No. : ---
Scale : N/A
Drawn by : OBJ
Checked by : OBJ
Cad File : CAD_FILE

Sheet title
3rd FLOOR
Tea Point 1
Plan / Elevation and side view Details

Dwg No. : WS-DS-SD-ND-044 No. : SHEET 1

Handles - 13 pcs
Thinned roof
Steel pipe to be ordered
glass shelf
Drawer rail 45cm (with side ???) - 4 pcs